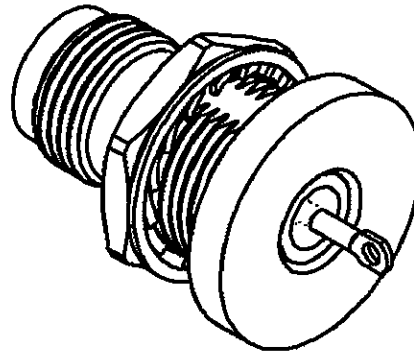
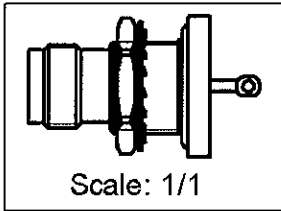
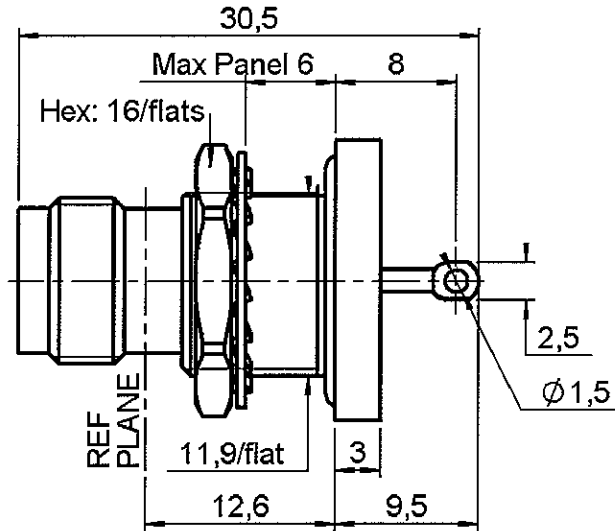


BULKHEAD HERMETICAL JACK RECEPTACLE

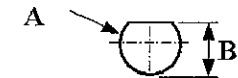
R143.626.000

REAR MOUNT PANEL SEAL

Series : TNC



PANEL CUT OUT



mm		
	Maxi	mini
A	12.9	12.8
B	12.1	12

All dimensions are in mm.



COMPONENTS	MATERIALS	PLATINGS (µm)
BODY	BRASS	NICKEL 2
CENTER CONTACT	BERYLLIUM COPPER	GOLD 0.5 OVER NICKEL 2
OUTER CONTACT	-	-
INSULATOR	PTFE	-
GASKET	SILICONE RUBBER	-
OTHERS PARTS	BRASS	NICKEL 2
-	-	-
-	-	-

Issue : 0504 E

In the effort to improve our products, we reserve the right to make changes judged to be necessary.



BULKHEAD HERMETICAL JACK RECEPTACLE

R143.626.000

REAR MOUNT PANEL SEAL

Series : TNC

PACKAGING

SPECIFICATION

Standard	Unit	Other
1	-	Contact us

ELECTRICAL CHARACTERISTICS

ENVIRONMENTAL

Impedance		50 Ω
Frequency		0-11 GHz
VSWR	1.06 +	0.006 x F(GHz) Maxi
Insertion loss		.025* √F(GHz) dB Maxi
RF leakage	- (57 - F(GHz)) dB Maxi
Voltage rating		500 Veff Maxi
Dielectric withstanding voltage		1500 Veff mini
Insulation resistance		5000 MΩ mini

Operating temperature	-65/+100 ° C
Hermetic seal	10-6 Atm.cm3/s
Panel leakage	NA

OTHERS CHARACTERISTICS

Assembly instruction NA

Others :

* Coaxial Transmission Line Only

MECHANICAL CHARACTERISTICS

Center contact retention		
Axial force – Mating end		18 N mini
Axial force – Opposite end		18 N mini
Torque		2.8 N.cm mini
Recommended torque		
Mating		NA N.cm
Panel nut		250 N.cm
Mating life		500 Cycles mini
Weight		26.000 g

Issue : 0504 E

In the effort to improve our products, we reserve the right to make changes judged to be necessary.

